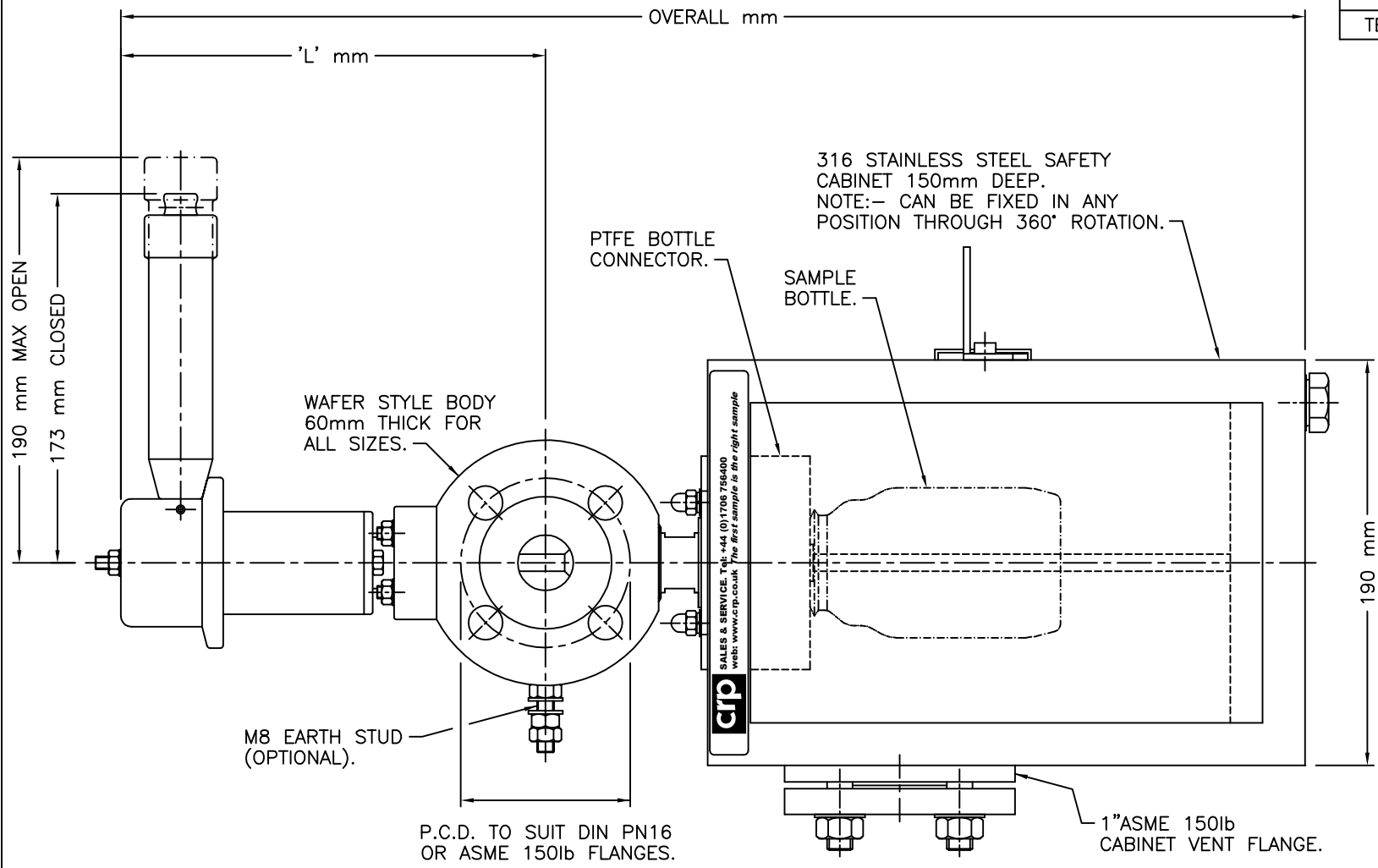
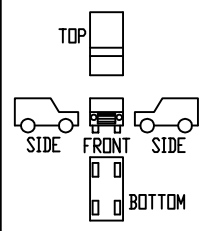


OPERATING DATA	VALVE TYPE	
		SD-IL-300 316L St/St
PRESSURE	16 bar Max	10 bar Max
TEMPERATURE	-29 to +200°C	-29 to +180°C



6"ASME 150lb	288 mm	729 mm
4"ASME 150lb	259 mm	674 mm
3"ASME 150lb	244 mm	644 mm
2½"ASME 150lb	237 mm	629 mm
2"ASME 150lb	226 mm	606 mm
1½"ASME 150lb	218 mm	593 mm
1"ASME 150lb	200 mm	556 mm
VALVE SIZE	'L' mm	OVERALL mm



03	TEMPERATURE RANGE	PTB	19.9.20
REV	CHANGE	SIG	DATE

THIS DRAWING IS DRAWN USING THIRD ANGLE PROJECTION

**crp**  
the corrosion expert  
CRP  
Todmorden Road  
Littleborough  
OL15 9EG  
www.crp.co.uk  
Tel: +44(0)1706 756400 Fax: +44(0)1706 379567

PROJECTION   
DRG. PRACTICE TO B.S.308  
DIMENSIONS IN mm U.O.S.  
UNSPECIFIED TOL. ±3

DRAWN TB 07/02/06  
APP'D . 07/02/06  
SCALE NTS A3

TITLE:	G.A. SD-IL-300/400 SAMPLING DEVICE WITH SAFETY CABINET		
PART NO:			
DRG.NO:	SDD329	REV.	03