
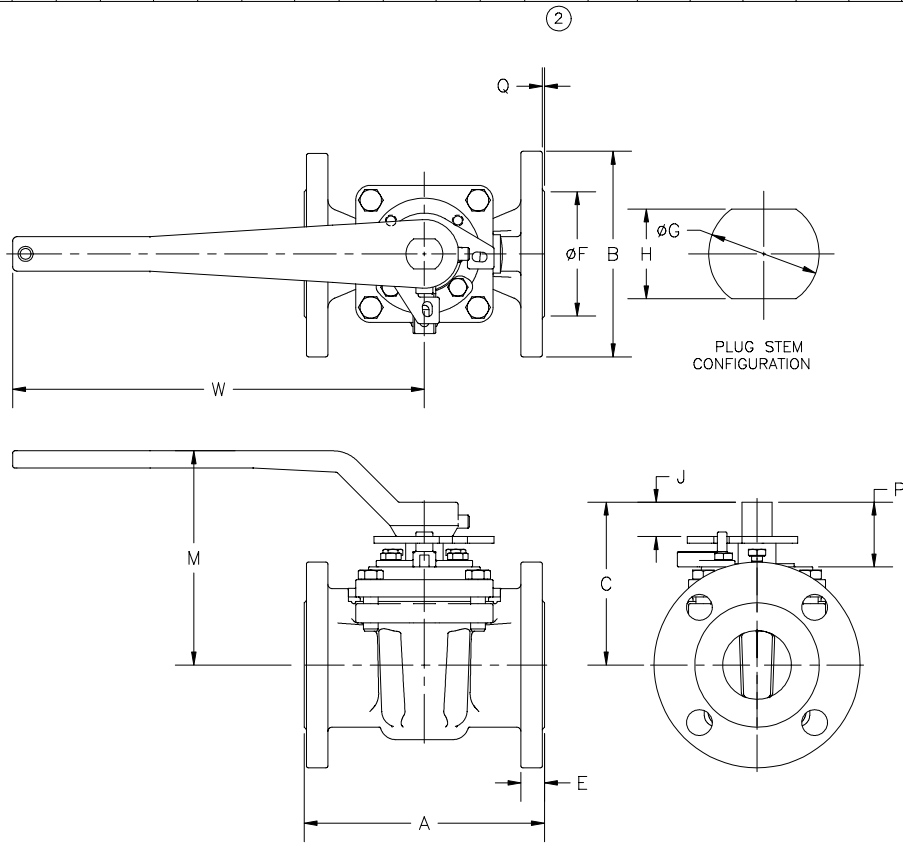


IDENTIFICATION NUMBER		 <b>FLOWSERVE</b> FLOWSERVE CORPORATION COOKEVILLE VALVE OPERATION COOKEVILLE, TN 38501	CERTIFIED FOR DIMENSIONS ONLY				SUBMITTED FOR CUSTOMER APPROVAL ONLY				NO.	DATE	REVISION	BY	
STANDARD			BY _____	CUSTOMER _____				CUSTOMER _____				2	11/14/01	ADDED DEPTH OF HOLES IN ISO PAD	J.W.P.
VP6275C			CUSTOMER _____	ORDER NO. _____				ORDER NO. _____						ALSO REVISED "P" DIM.	
ISSUE NO. 3		CUSTOMER _____	FLOWSERVE ORDER NO. _____				FLOWSERVE ORDER NO. _____				3	4/9/03	CORRECT "P" DIM.S	TAG	
1-3" QV		DRAWN BY J. HUGHES	ITEM NO. _____				ITEM NO. _____								
25-80 DIN		DATE 5/29/01	APPROVED BY: _____ DATE _____				APPROVED BY: _____ DATE _____								
		CHECKED BY _____	APPROVED EXCEPT AS NOTED DO NOT RESUBMIT <input type="checkbox"/>				APPROVED EXCEPT AS NOTED DO NOT RESUBMIT <input type="checkbox"/>								
			RESUBMIT CORRECTED DRAWING <input type="checkbox"/>				RESUBMIT CORRECTED DRAWING <input type="checkbox"/>								

**ENGLISH UNITS**

VALVE SIZE	DRILLING CLASS 150			DRILLING CLASS 300			DRILLING CLASS 600			ISO MOUNTING PAD				A			B			C	E			F	G	H	J	M	P			Q			R	W		
	No.	Size	BC	No.	Size	BC	No.	Size	BC	No.	Size	HOLE DEPTH	BC	CLASS			CLASS				CLASS								CLASS			CLASS						
														150	300	600	150	300	600		150	300	600						150	300	600	150	300	600			150	300
1	4	.63 [15.9]	3.13 [79.4]	4	.75 [19.1]	3.50 [88.9]	4	.75 [19.1]	3.50 [88.9]	F05	M6	.36 [9.1]	1.97 [50.0]	5.00 [127.0]	6.50 [165.1]	8.50 [215.9]	4.25 [108.0]	4.88 [123.8]	4.88 [123.8]	3.49 [88.7]	.44 [11.2]	.69 [17.5]	.94 [23.8]	2.00 [50.8]	.782 [19.86]	[20.00]	.656 [16.66]	[18.54]	.62 [15.8]	4.65 [118.1]	1.53 [38.8]	1.53 [38.8]	1.49 [37.7]	.06 [1.6]	.06 [1.6]	.25 [6.4]	1.38 [35.0]	7.00 [177.8]
1.5	4	.63 [15.9]	3.88 [98.4]	4	.88 [22.2]	4.50 [114.3]	4	.88 [22.2]	4.50 [114.3]	F05	M6	.36 [9.1]	1.97 [50.0]	6.50 [165.1]	7.50 [190.5]	9.50 [241.3]	5.00 [127.0]	6.13 [155.6]	6.13 [155.6]	3.93 [99.2]	.56 [14.3]	.81 [20.6]	1.13 [28.6]	2.88 [73.0]	.782 [19.86]	[20.00]	.656 [16.66]	[18.54]	.75 [19.0]	4.96 [126.0]	1.65 [42.0]	1.65 [42.0]	1.63 [41.4]	.06 [1.6]	.06 [1.6]	.25 [6.4]	1.38 [35.0]	9.00 [228.6]
2	4	.75 [19.1]	4.75 [120.7]	8	.75 [19.1]	5.00 [127.0]	8	.75 [19.1]	5.00 [127.0]	F07	M8	.50 [12.7]	2.76 [70.0]	7.00 [177.8]	8.50 [215.9]	11.50 [292.1]	6.00 [152.4]	6.50 [165.1]	6.50 [165.1]	4.74 [120.4]	.63 [15.9]	.88 [22.2]	1.25 [31.8]	3.63 [92.1]	.075 [27.05]	[27.31]	.875 [22.23]	[22.10]	1.00 [25.4]	6.24 [158.5]	1.94 [49.3]	1.94 [49.3]	1.87 [47.4]	.06 [1.6]	.06 [1.6]	.25 [6.4]	2.17 [55.0]	12.00 [304.8]
3	4	.75 [19.1]	6.00 [152.4]	8	.88 [22.2]	6.63 [168.3]	8	.88 [22.2]	6.63 [168.3]	F07	M8	.50 [12.7]	2.76 [70.0]	8.00 [203.2]	11.13 [282.6]	14.00 [355.6]	7.50 [190.5]	8.25 [209.6]	8.25 [209.6]	5.21 [132.3]	.75 [19.1]	1.13 [28.6]	1.50 [38.1]	5.00 [127.0]	.075 [27.05]	[27.31]	.875 [22.23]	[22.10]	1.00 [25.4]	6.71 [170.4]	2.01 [51.1]	2.01 [51.1]	1.96 [49.7]	.06 [1.6]	.06 [1.6]	.25 [6.4]	2.17 [55.0]	20.00 [508.0]



**METRIC UNITS**

VALVE SIZE	DRILLING CLASS PN 10-40			ISO MOUNTING PAD				A	B	C	E	F	G	H	J	M	P	Q	R	W
	No.	Size	BC	No.	Size	HOLE DEPTH	BC													
25	4	13.9	84.9	F05	M6	9.1	50.0	160.0	115.1	88.7	19.4	68.1	20.00 19.86	16.66 16.54	15.8	118.1	38.8	1.6	35.0	177.8
32	4	18.0	100.1	F05	M6	9.1	50.0	184.5	140.0	88.7	20.3	80.9	20.00 19.86	16.66 16.54	15.8	118.1	38.8	1.6	35.0	177.8
40	4	18.0	110.0	F05	M6	9.1	50.0	199.9	150.1	99.8	19.8	88.1	20.00 19.86	16.66 16.54	19.0	126.0	42.0	1.6	35.0	228.6
50	4	18.0	125.0	F07	M8	12.7	70.0	229.0	165.1	120.4	21.7	102.1	27.31 27.05	22.23 22.10	25.4	158.5	49.3	1.6	55.0	304.8
65	4	18.0	145.0	F07	M8	12.7	70.0	290.0	184.9	132.3	23.6	123.0	27.31 27.05	22.23 22.10	25.4	170.4	51.1	1.6	55.0	508.0
80	8	18.0	160.0	F07	M8	12.7	70.0	310.0	200.0	132.3	25.6	138.2	27.31 27.05	22.23 22.10	25.4	170.4	51.1	1.6	55.0	508.0

